

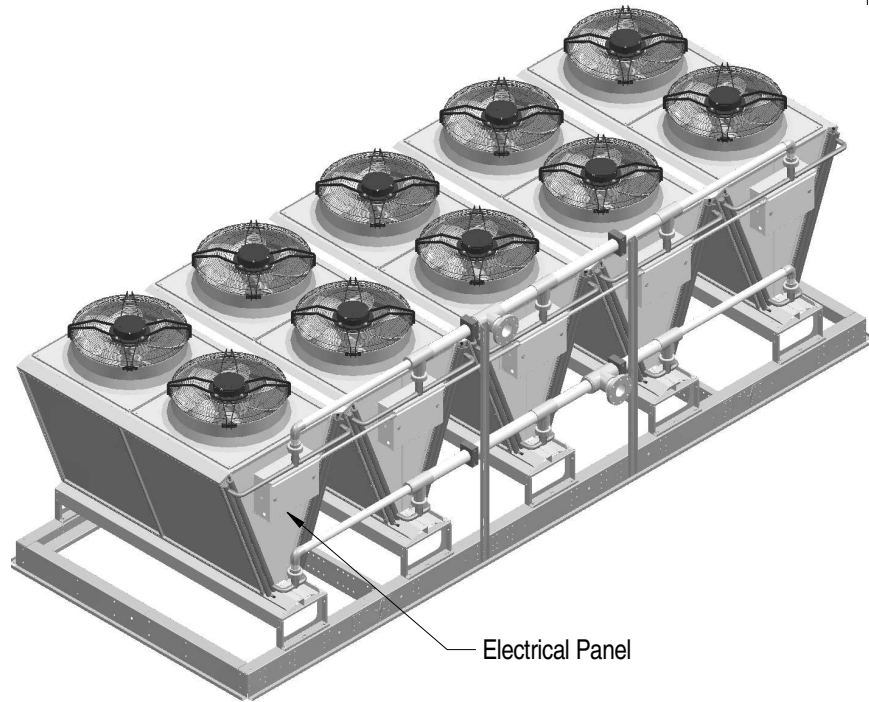
Model	Max. Fluid Flow 35 % Prop. Glycol (GPM)	Internal Fluid Volume (US gal.)	P.D. (ft. H2O)	Min. Circuit Ampacity (MCA)			Max. Fuse (MOP)			Noise Level* @ 30 ft. (dBA)
				230 V	460 V	575 V	230 V	460 V	575 V	
NG-V-52	400	62.5	26	102	44	34	110	50	40	70 / 78



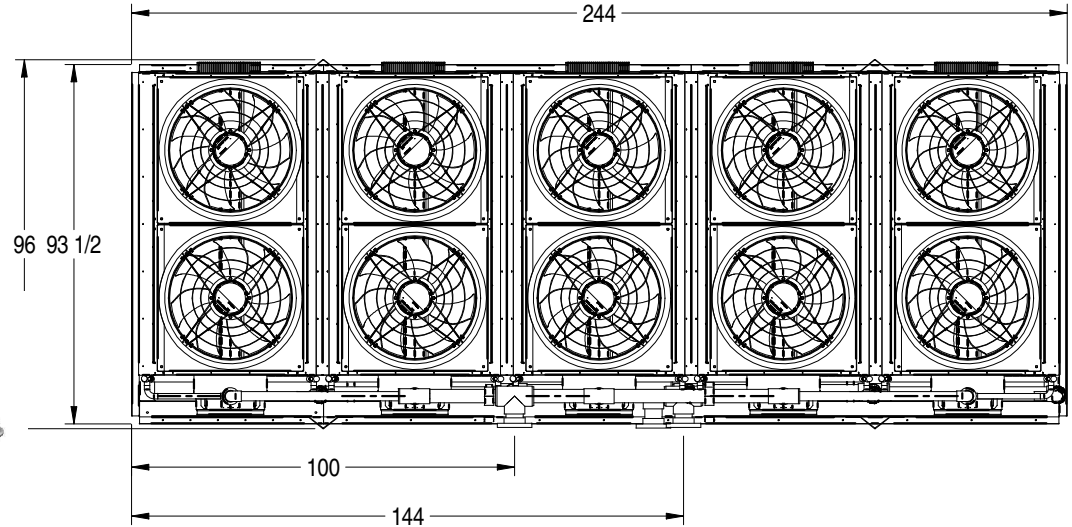
CAD FILE		
NG-V-52 rev02		
DATE	05/27/16	REV 0
DRAWN BY	N. EUSTACHE	
		SHEET 1 OF 1

DESCRIPTION
NG-V VERTICAL AIR FLOW

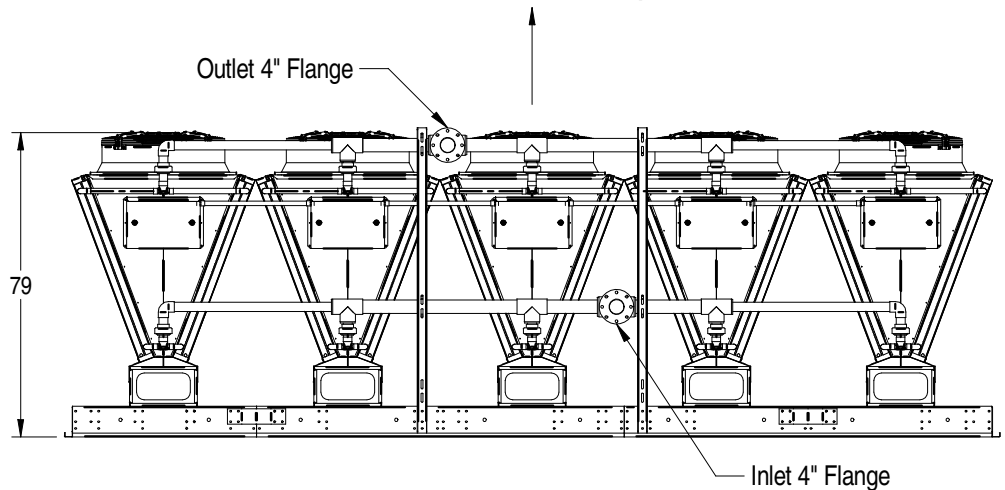
*First value with fan running at low speed, second value at high speed.
Values are for free field installation.
Noise levels may vary due to installation factor.



Electrical Panel



96" of clearance required.



Important note:
Minimum 36" of clearance all the way around for proper air flow.

UNIT OPERATING WEIGHT: 6000 LBS