

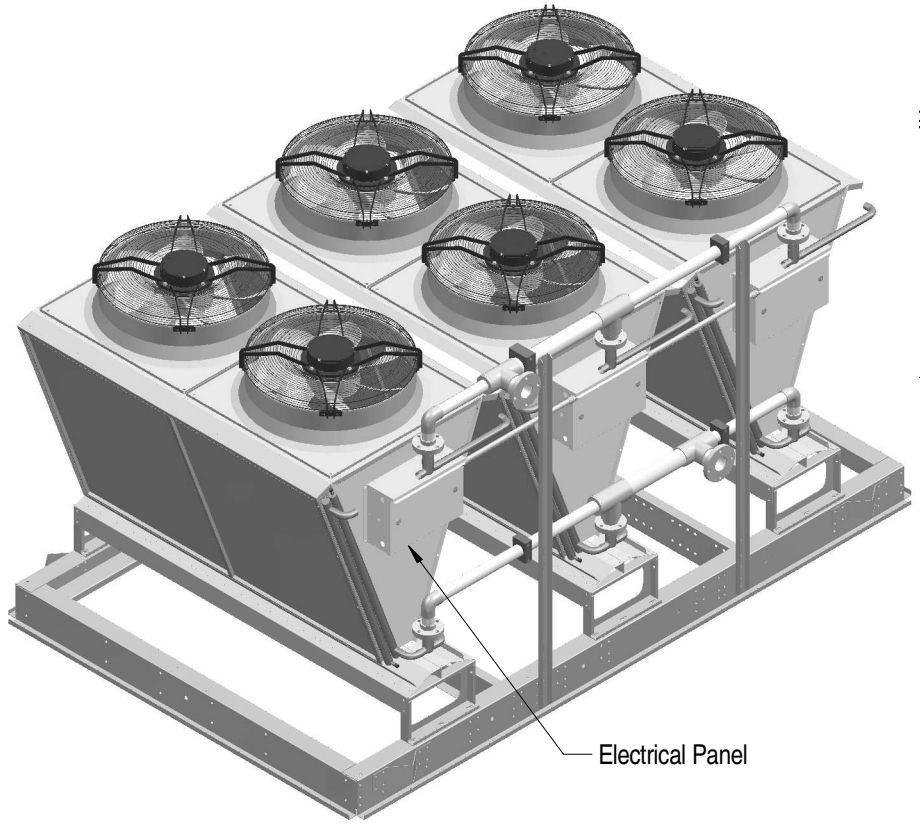
Model	Max. Fluid Flow 35 % Prop. Glycol (GPM)	Internal Fluid Volume (US gal.)	P.D. (ft. H2O)	Min. Circuit Ampacity (MCA)			Max. Fuse (MOP)			Noise Level* @ 30 ft. (dBA)
				230 V	460 V	575 V	230 V	460 V	575 V	
NG-V-32	240	35.9	22	63.1	27.3	20.8	80	35	25	68 / 76



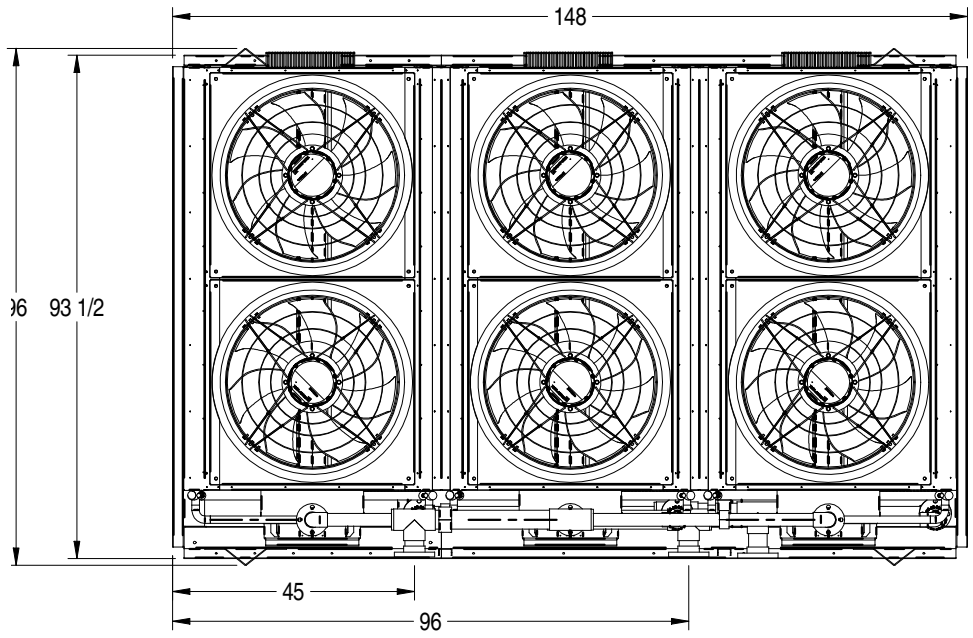
CAD FILE	NG-V-32 rev02	
DATE	05/27/16	REV 0
DRAWN BY	N. EUSTACHE	
SHEET	1 OF 1	

DESCRIPTION  
NG-V VERTICAL AIR FLOW

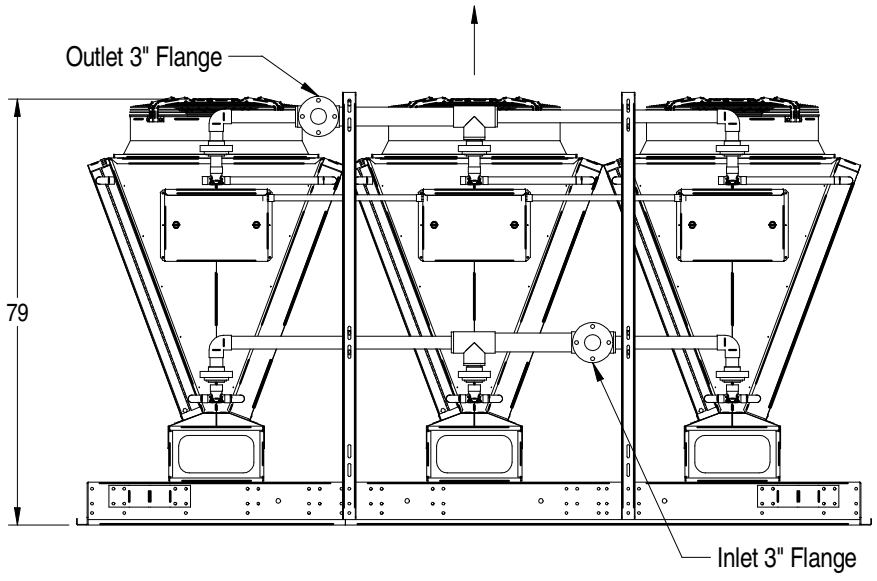
\*First value with fan running at low speed, second value at high speed.  
Values are for free field installation.  
Noise levels may vary due to installation factor.



Electrical Panel



96" of clearance required.



Important note:  
Minimum 36" of clearance all the way around for proper air flow.  
UNIT OPERATING WEIGHT: 3600 LBS