

Model	Max Fluid Flow 35 % Prop. Glycol (GPM)	External Available Pressure (ft)	Fluid Flow 35 % Prop. Glycol (GPM)	External Available Pressure (ft)	Min. Circuit Ampacity (MCA)			Max. Fuse (MOP)			Noise Level* @ 30 ft. (dBA)
					230 V	460 V	575 V	230 V	460 V	575 V	
NG-V-31	75	38	55	50	39.0	17.3	13.3	50	25	20	64 / 72



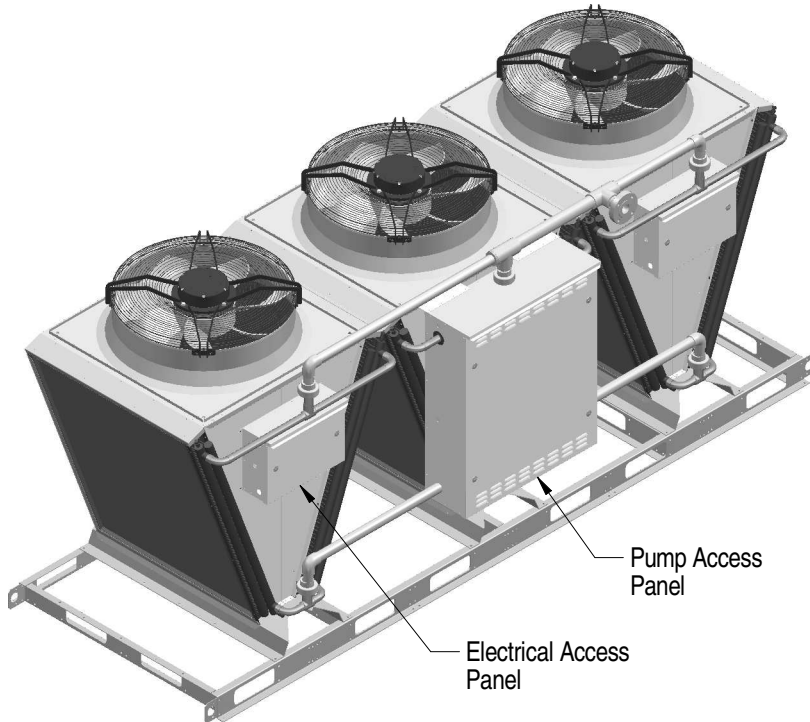
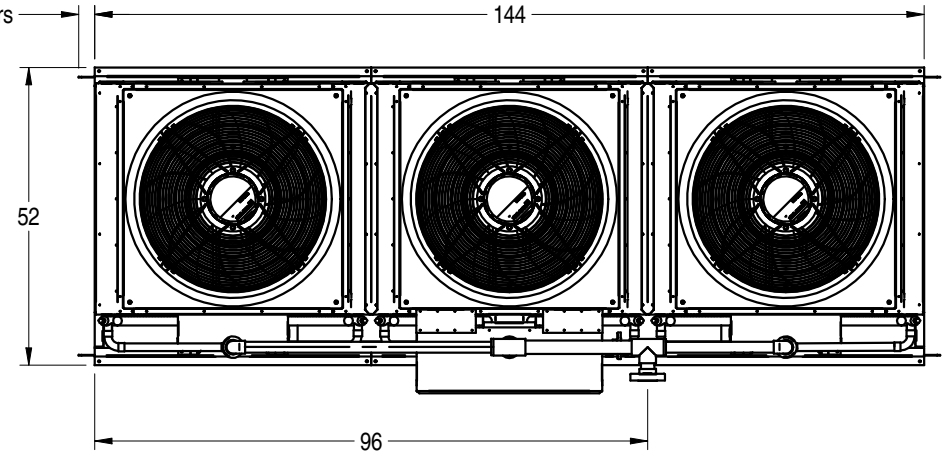
CAD FILE NG-V-31 CW Pump Kit rev01		
DATE	06/06/16	REV 0
DRAWN BY	N. EUSTACHE	
	SHEET	1 OF 1

DESCRIPTION
NG-V VERTICAL AIR FLOW

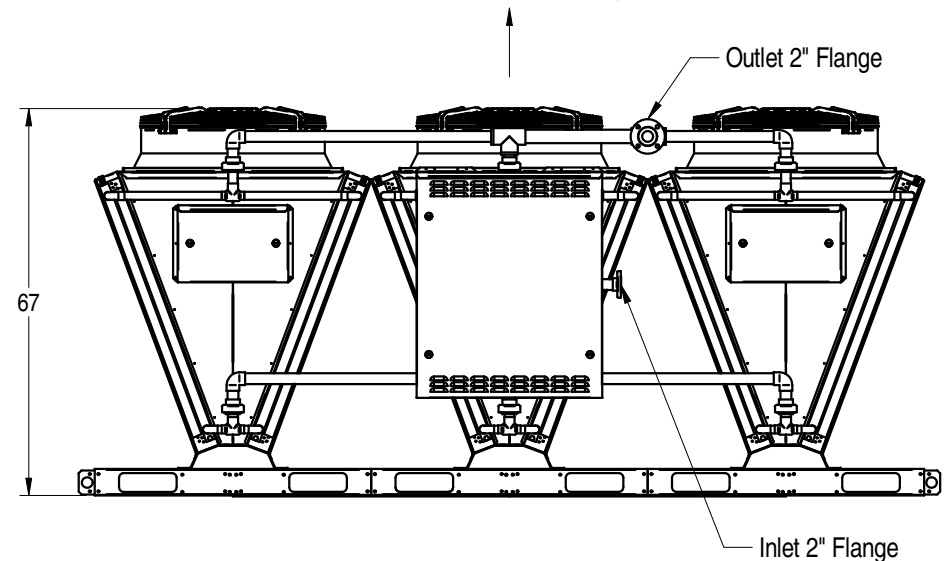
25.5 US gal. internal fluid volume.

*First value with fan running at low speed, second value at high speed.
Values are for free field installation.
Noise levels may vary due to installation factor.

2 3/4 Typ. 4 corners



96" of clearance required.



Important note:
Minimum 36" of clearance all the way around for proper air flow.

UNIT OPERATING WEIGHT: 1675 LBS